

# CLever™-M

## PRODUCT BRIEF

The CLever-M product is designed for Camera Link medium configuration cameras. It distributes the image data from one camera to two frame grabbers for parallel image processing. Since all output signals are conditioned and regenerated, the product will also work as a repeater for doubling the cable connection distance.

## KEY FEATURES

- ❖ Supports Camera Link cameras/framegrabbers up to 85MHz pixel clock
- ❖ Supports base, dual base and medium configurations
- ❖ Duplicates and regenerates image data from one camera to two frame grabbers
- ❖ Single 5V~24V DC power supply
- ❖ Locking power supply connector
- ❖ Can be cascaded for multiple cameras
- ❖ Can seamlessly used with our PHOX and PHAST optical fiber extender for longer distance

**PHRONTIER™**  
TECHNOLOGIES

## CLever™-M Camera Link Medium 1x2 Splitter/Repeater

CLever-M



Back View (Connects to Framegrabbers)



Front View (Connects to Camera)



**PHRONTIER™**  
TECHNOLOGIES

[www.phrontier-tech.com](http://www.phrontier-tech.com)

info@phrontier-tech.com

Toll Free: 1-866-389-2829

## TECHNICAL SPECIFICATIONS

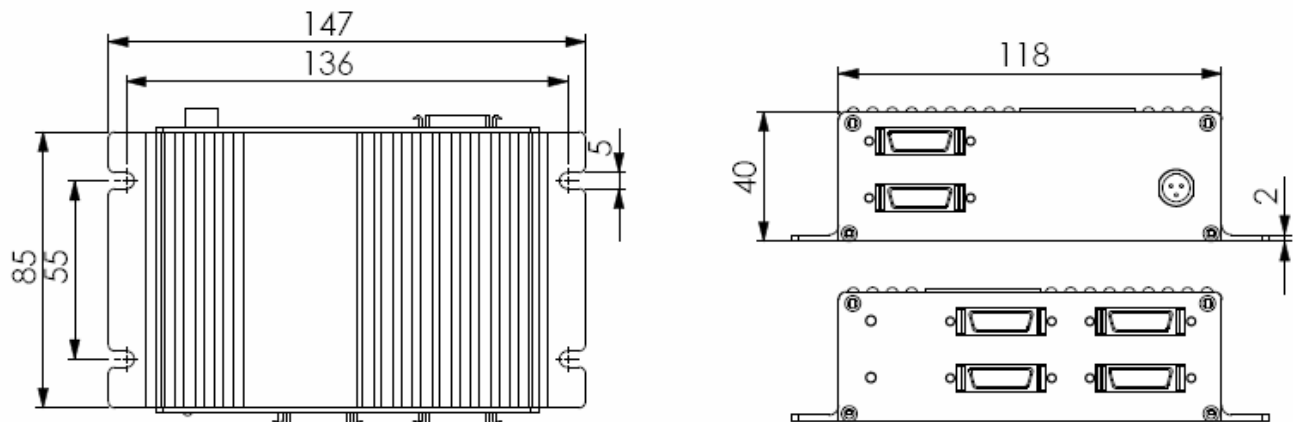
### General Specification

Operating Case Temperature	0 ~ 70 °C
Input Voltage	DC 5 ~ 24 V
Supply Current	Typical 0.2A @12V
Typical Power Consumption	2.4W @ 25 °C
AC/DC Power Supply Connector	Switchcraft TA3FX locking connector

### Camera Link Interface

Pixel Clock	20 to 85MHz
Image Data Width	48 bits
Image Enables	FVAL, LVAL, DVAL, spare
Camera Control	CC1, CC2, CC3, CC4
Communication	SerTC, SerTFG
Connector Type	MDR26 receptacle

## MECHANICAL INFORMATION (mm)



## ORDERING INFORMATION

Model #	Check List
CLever-M	1x CLever-M box 1x 12V DC international wall mount AC/DC power adapter with locking plug 1x User manual

Camera Link™ is a registered trademark of AIA. Phrontier™ and CLever™ are trademarks of Phrontier Technologies, LLC. All rights reserved. Copy Right © 2008-2009