

# USB3.0 Active Cables

Preliminary

## PRODUCT BRIEF

The USB3.0 repeater cables provide electrical solutions to extend the SuperSpeed USB3.0 connections beyond the typical 3 meter reach.

## KEY FEATURES

- ❖ Straight type-A plug to Micro-B plug with locking screws and 5 available connector orientations for easy cable management
- ❖ Sleek design with inline over-molded electronics
- ❖ Compliant to USB3.0 standard
- ❖ Up to 10 meters without external power supply
- ❖ Locking screws for USB3 Vision applications

**PHRONTIER™**  
TECHNOLOGIES

## USB 3.0 Active Cables



## TECHNICAL SPECIFICATIONS FOR ELECTRICAL REPEATER

Operating Temperature	0 ~ 50 °C		
Operating Humidity	20%~90% RH		
Supported Data Rates	5Gb/s, 480Mb/s, 12Mb/s, 1.5Mb/s		
Connector Contacts	30μ nickel plated		
Cable OD	5.5 mm		
Cable Color	Black		
Product Weight	5m (16ft)	7m (23ft)	10m (33ft)
	0.28kg (9.9oz)	0.37kg (13oz)	0.53kg (18.7oz)

## ORDERING INFORMATION

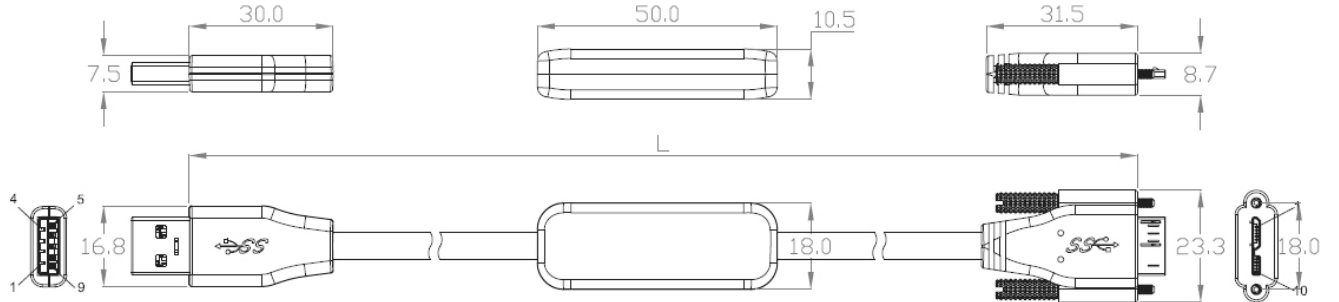
Part Number	Length options in meters	Connector 1	Connector 2
PTU3-xx-A-MB	05, 07, 10	Straight type A male	Straight micro B male
PTU3-xx-A-MBL	05, 07, 10	Straight type A male	Right-angle LEFT micro B male
PTU3-xx-A-MBR	05, 07, 10	Straight type A male	Right-angle RIGHT micro B male
PTU3-xx-A-MBU	05, 07, 10	Straight type A male	Right-angle UP micro B male
PTU3-xx-A-MBD	05, 07, 10	Straight type A male	Right-angle DOWN micro B male

\*When ordering repeater cables, replace the “xx” in the part number with the desired cable length in meters

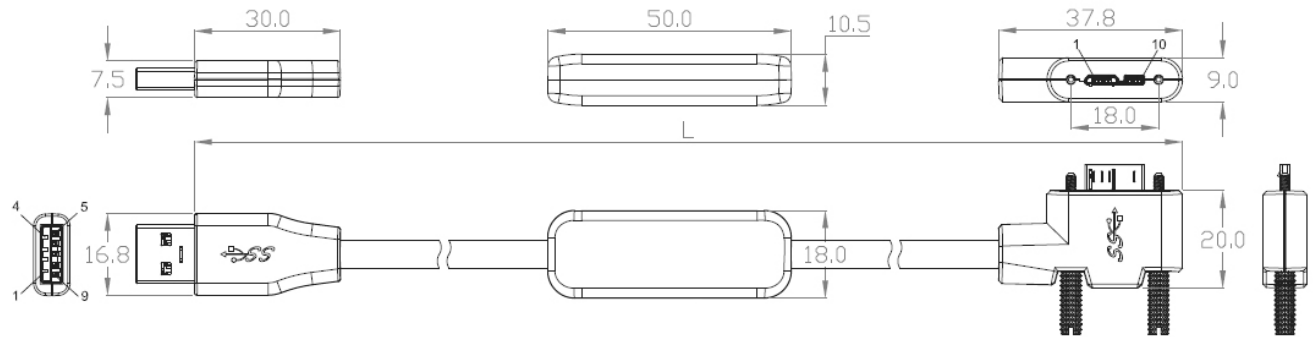
# PTU3-xx-A-MBx

## MECHANICAL INFORMATION (mm)

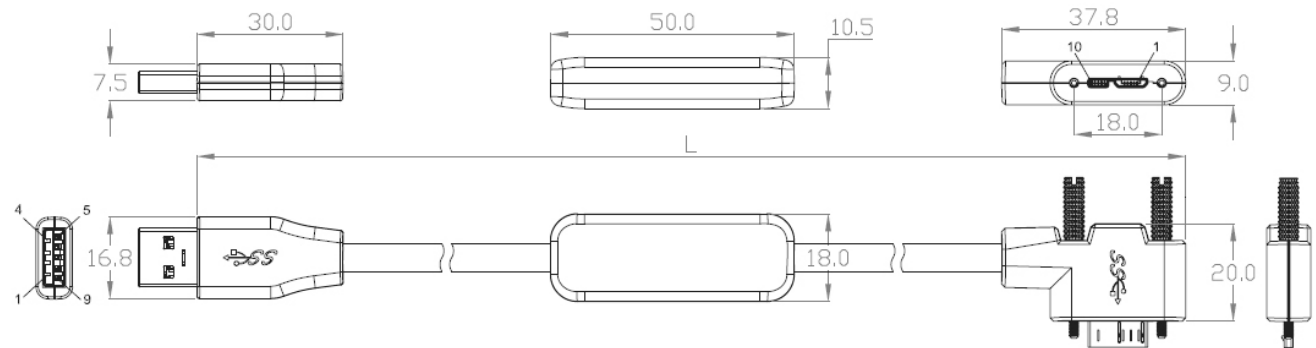
### PTU3-xx-A-MB



### PTU3-xx-A-MBL

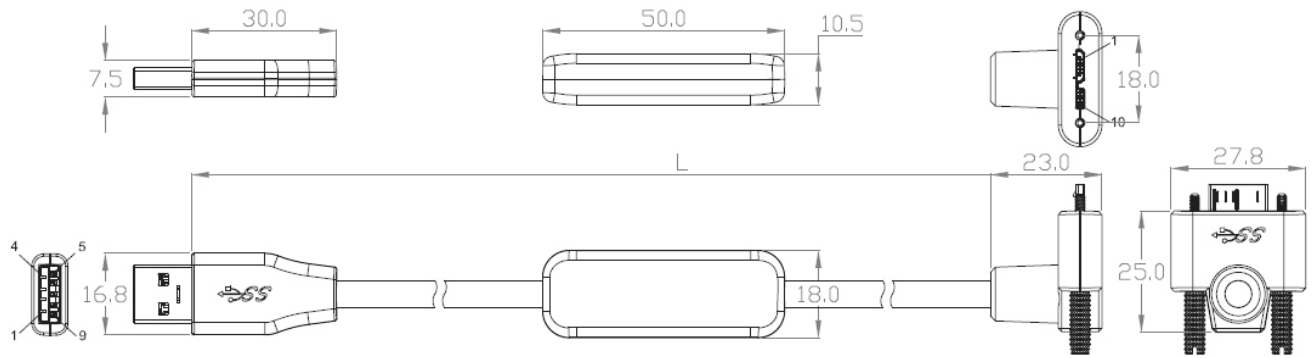


### PTU3-xx-A-MBR

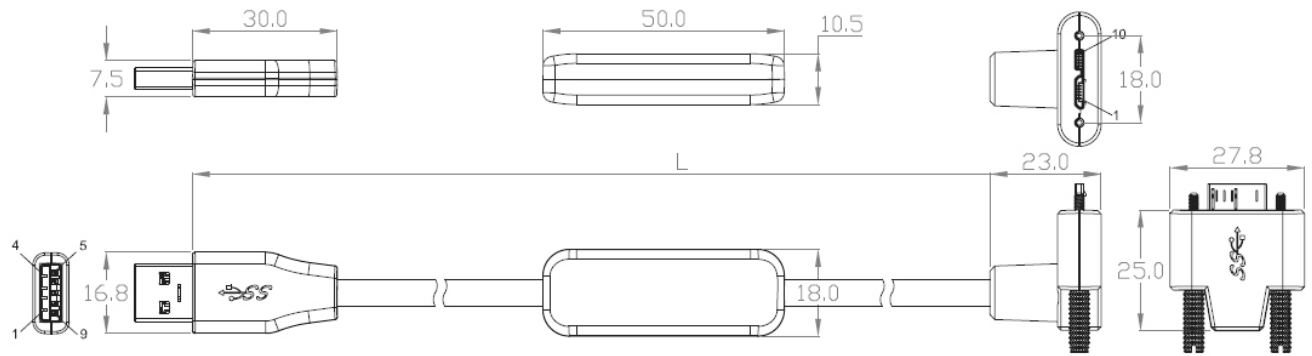


### PTU3-xx-A-MBU

# PTU3-xx-A-MBx



## PTU3-xx-A-MBD



[www.phrontier-tech.com](http://www.phrontier-tech.com)

info@phrontier-tech.com

Toll Free: 1-866-389-2829

Phrontier® is trademark of Phrontier Technologies, LLC. All rights reserved. Copy Right © 2004-2014