

USB3.0 Active Cables

PRODUCT BRIEF

The USB3.0 repeater cables provide electrical solutions to extend the SuperSpeed USB3.0 connections beyond the typical 3 meter reach.

KEY FEATURES

- ❖ Straight type-A plug to Micro-B plug with locking screws and 5 available connector orientations for easy cable management
- ❖ Sleek design with inline over-molded electronics
- ❖ Compliant to USB3.0 standard
- ❖ Up to 10 meters without external power supply
- ❖ Locking screws for USB3 Vision applications

PHRONTIER™
TECHNOLOGIES

USB 3.0 Active Cables



TECHNICAL SPECIFICATIONS FOR ELECTRICAL REPEATER

Operating Temperature	0 ~ 50 °C		
Operating Humidity	20%~90% RH		
Supported Data Rates	5Gb/s, 480Mb/s, 12Mb/s, 1.5Mb/s		
Connector Contacts	30μ nickel plated		
Cable OD	5.5 mm		
Cable Color	Black		
Product Weight	5m (16ft)	7m (23ft)	10m (33ft)
	0.28kg (9.9oz)	0.37kg (13oz)	0.53kg (18.7oz)

ORDERING INFORMATION

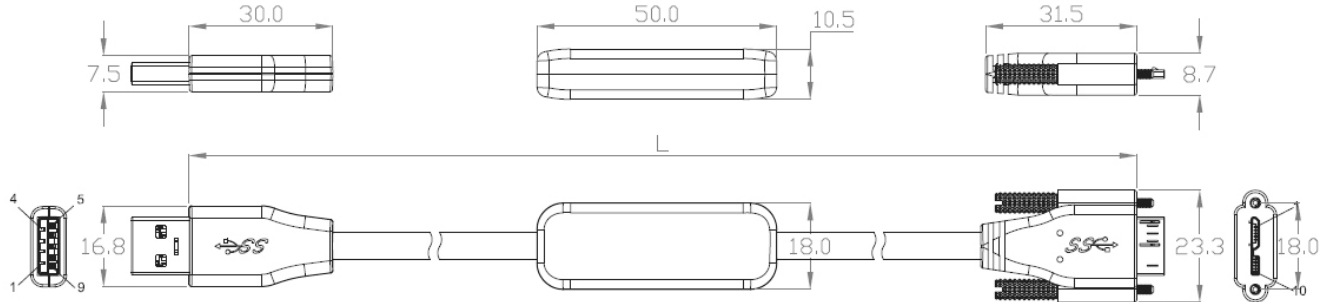
Part Number	Length options in meters	Connector 1	Connector 2
PTU3-xx-A-MB	05, 07, 10	Straight type A male	Straight micro B male
PTU3-xx-A-MBL	05, 07, 10	Straight type A male	Right-angle LEFT micro B male
PTU3-xx-A-MBR	05, 07, 10	Straight type A male	Right-angle RIGHT micro B male
PTU3-xx-A-MBU	05, 07, 10	Straight type A male	Right-angle UP micro B male
PTU3-xx-A-MBD	05, 07, 10	Straight type A male	Right-angle DOWN micro B male

*When ordering repeater cables, replace the “xx” in the part number with the desired cable length in meters

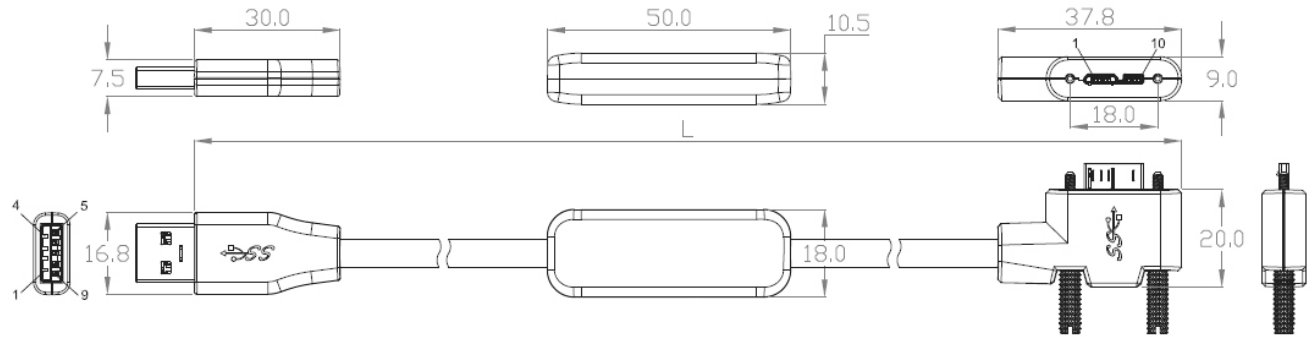
PTU3-xx-A-MBx

MECHANICAL INFORMATION (mm)

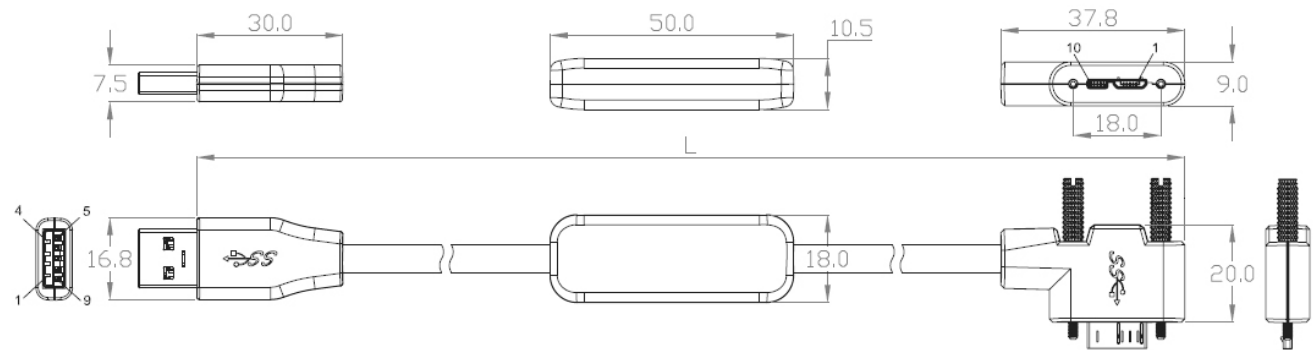
PTU3-xx-A-MB



PTU3-xx-A-MBL

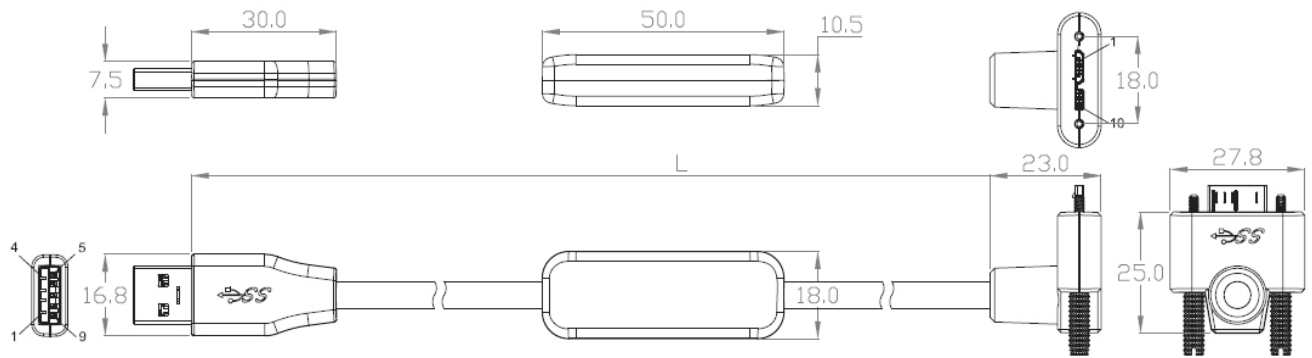


PTU3-xx-A-MBR

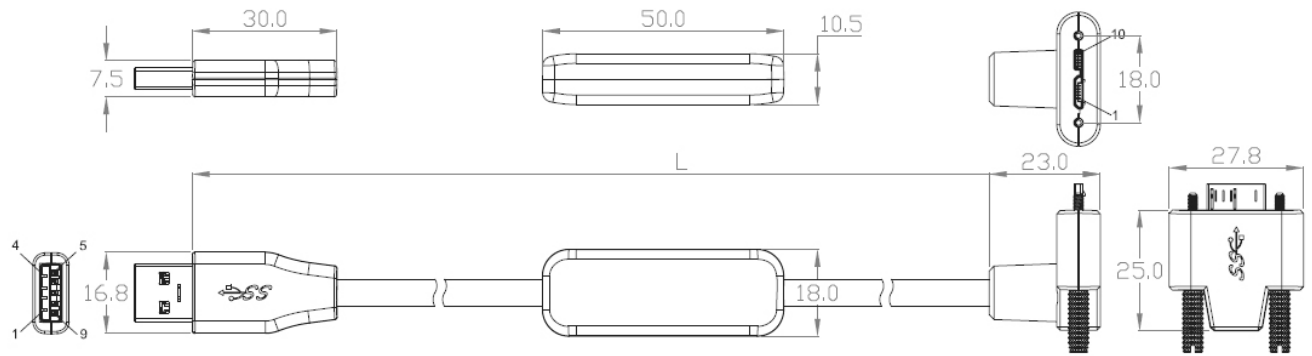


PTU3-xx-A-MBU

PTU3-xx-A-MBx



PTU3-xx-A-MBD



www.phrontier-tech.com

info@phrontier-tech.com

Toll Free: 1-866-389-2829

Phrontier® is trademark of Phrontier Technologies, LLC. All rights reserved. Copy Right © 2004-2019