

# PHORCE (standalone version)

## PRODUCT BRIEF

The PHORCE product family is designed to extend the SuperSpeed USB3.1 Gen1 connections beyond the typical 3 meter reach of copper cables. The standalone version of PHORCE consists of two individual modules. A PC module directly connects to any USB3.1 Gen1 port on a host such as a PC. A separate RE module (remote module) connects to user's USB 3.1 Gen1 devices such as a camera, external hard drive, control panel, or any other USB3.1 Gen1 compatible devices. By placing an optical fiber between the PC and RE modules, the PHORCE system can achieve a 300m link distance with a choice of SM or MM fibers. By incorporating swappable optical transceivers, PHORCE can be deployed to any existing fiber networks without opening walls or digging trenches.

## KEY FEATURES

- ❖ Provide 5Gb/s transmission bandwidth for up to two USB3.1 Gen1 devices
- ❖ Supports any USB3.1 Gen1 device connection but not backward compatible with USB2.0
- ❖ Compatible with MM and SM fibers
- ❖ Available for one fiber solution (LC simplex)
- ❖ Plug and Play, no drivers required
- ❖ LED indicators for system status
- ❖ Low power consumption ~2W while operating
- ❖ Provide USB bus power for USB devices
- ❖ Secure power connector with locking mechanism
- ❖ Secure USB connectors with thumbscrew locking mechanism
- ❖ Secure installation with mounting wings
- ❖ Provide optical isolation
- ❖ Compact size

## APPLICATIONS

- ❖ Long distance USB3.1 Gen1 accessories connections
- ❖ USB3Vision applications
- ❖ Machine vision applications
- ❖ Intelligent traffic control systems
- ❖ Security surveillance systems
- ❖ Remote data storage systems
- ❖ Automation inspection systems
- ❖ High resolution images and real-time analysis for science, sports and automobile tests

**PHRONTIER™**  
TECHNOLOGIES

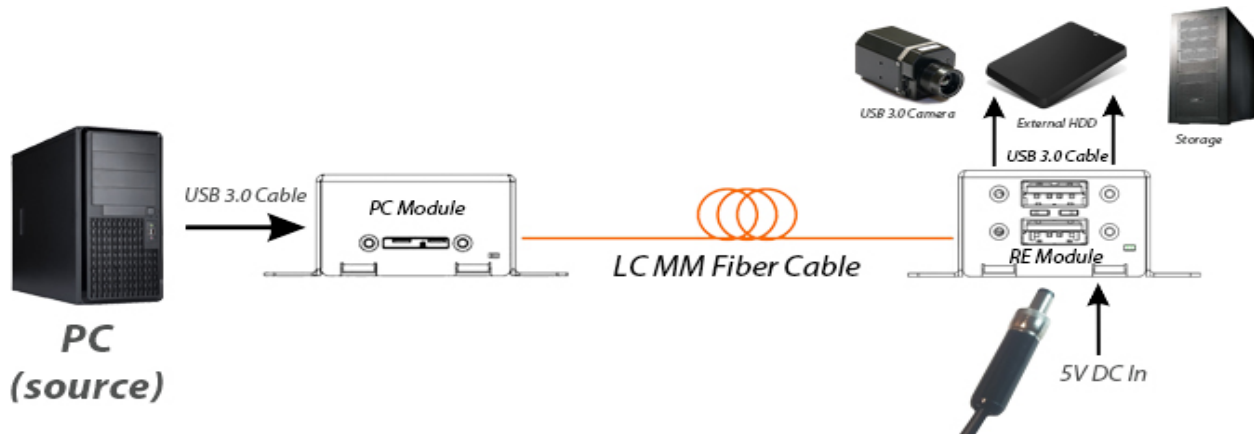
**PHORCE**

**USB 3.1 Gen1  
(USB3.0)  
Optical Fiber Extender**

PHU31B-M  
PHU31B-S  
PHU31B-SL



## TYPICAL SET UP DIAGRAM



## TECHNICAL SPECIFICATIONS

### Module Specifications

Available Models		PHU31B-M	PHU31B-S	PHU31B-SL
Max Link Distance*1		150 ~ 300 m (500 ~ 1000 ft)		
Wavelength		850nm	1310nm	1270/1330nm
Optical output power*2		-6.5 ~ -1 dBm	-8.2 ~ +0.5 dBm	-8.2 ~ +0.5 dBm
Optical receiver sensitivity*2		-11.1 dBm	-14.4 dBm	-14.4 dBm
Required number of fibers		2	2	1
Optical Connector Type		LC Duplex	LC Duplex	LC Simplex
Fiber Type		OM2, OM3, OM4	9/125 um SM	
Input Voltage		5 +/- 0.25 V DC		
USB connectors	PC module	Micro-B receptacle		
	RE module	Type-A receptacle		
Power Consumption with 1 USB device*3		1.8W excluding USB bus powered devices		
Power Consumption with 2 USB devices*3		2.3W excluding USB bus powered devices		
Operating Temperature (standard version)	Case	0 ~ 65 °C		
	Ambient	0 ~ 50 °C		
Operating Temperature (industrial version)	Case	-40 ~ 80 °C	-20 ~ 80 °C	
	Ambient	-40 ~ 65 °C	-20 ~ 65 °C	
Operating Humidity		20~80% Non-condensing		
Storage Temperature		-40 ~ 85°C		
Storage Humidity		10~90% Non-condensing		
Dimensions (L x W x H) excluding mounting wings		72 x 38 x 24 mm 2.83 x 1.5 x 0.94 inches		
Weight		PC module: 60g ; RE module: 70g		

\*1 The maximum link distance will strongly depend on USB host controller, USB device controller and device firmware.

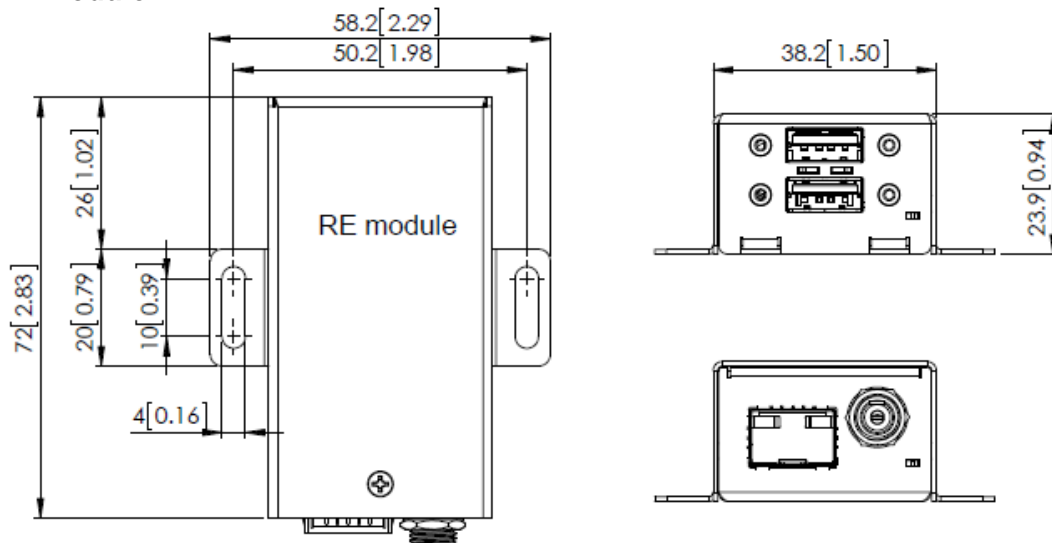
\*2 Measured with average optical power  
 \*3 The power consumption was measured with PHU31B-M at 25C.

## Power Supply Specifications (only apply to RE module)

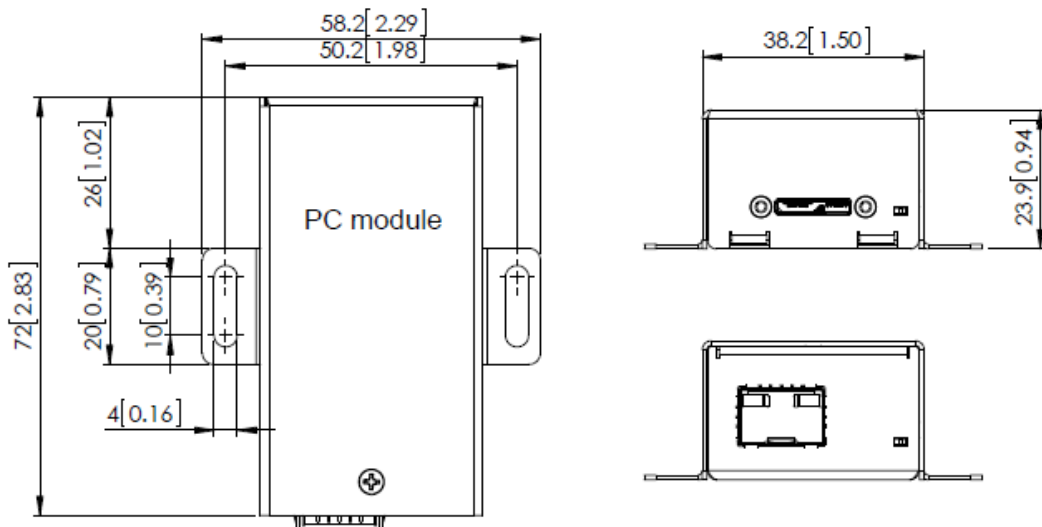
AC Input	100 ~ 240V AC
DC Output	3.0 A @ 5V DC
DC Jack Polarity	Center 5V
DC Jack Part Number	Switchcraft S760K

## MECHANICAL INFORMATION (mm)[inch]

### RE Module



### PC Module



## ORDERING INFORMATION

### Standard models

Ordering Part #	Link Distance	Fiber type	Connector type	Items included
PHU31B-M	150 ~ 300 m (500 ~ 1000 ft)	2x OM2 or OM3 or OM4 fiber	LC duplex	1x PHU31B-M-PC module 1x PHU31B-M-RE module 1x 15W wall mount power supply
PHU31B-S	150 ~ 300 m (500 ~ 1000 ft)	2x SM fiber	LC duplex	1x PHU31B-S-PC module 1x PHU31B-S-RE module 1x 15W wall mount power supply
PHU31B-SL	150 ~ 300 m (500 ~ 1000 ft)	1x SM fiber	LC simplex	1x PHU31B-SL-PC module 1x PHU31B-SL-RE module 1x 15W wall mount power supply

### Industrial models

Add "-T" at the end of the standard model part number.

### Accessory

Part #	Description
618-NGE18105-S760K	15W AC/DC adapter with 5V DC output
PTUSB3-A-MB-3	3 ft USB3.0 cable type A plug to Micro-B plug
LC-LC-M-D-xxxM	LC to LC duplex 50/125 μm OM2 MM fiber. xxx = desired length in meters.
LC-LC-G-D-xxxM	LC to LC duplex 50/125 μm OM3 MM fiber. xxx = desired length in meters.
LC-LC-S-D-xxxM	LC to LC duplex 9/125 SM fiber. xxx = desired length in meters.



[www.phrontier-tech.com](http://www.phrontier-tech.com)

[sales@phrontier-tech.com](mailto:sales@phrontier-tech.com)

**1-866-3892829**